



CuratOR Guía de Venta



EIZO CuratOR - Matriz de Producto

- Endoscopia Gran Formato
- Endoscopia Medio Formato
- Sala Resonancia Magnética
- IRV
- Táctil



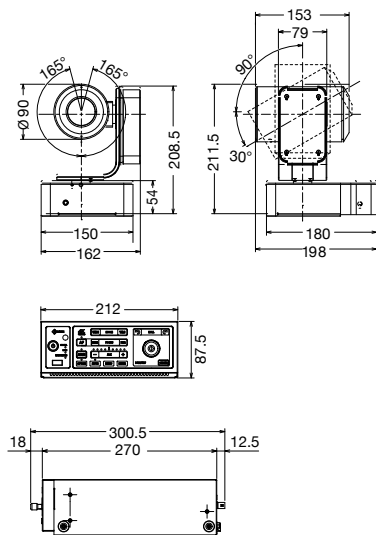
Mercados de uso y Características	EX5542	EX4942	EX4342	EX4342-3D	EX3242	EX3242-3D	EX3220	EX3220-3D	EX2721	LX3240-MR	LL550W	LX1910	LX2420-T	
Panel	TFT LED	IPS	IPS	IPS	IPS	IPS	IPS	IPS	IPS	VA	IPS	IPS	IPS	
Tamaño Pantalla (pulgadas)	55"	49"	43"	43"	32"	32"	31,5"	31,5"	27"	31,5"	54.6"	19"	24"	
Resolución	3840 x 2160	3840 x 2160	3840 x 2160	3840 x 2160	3840 x 2160	3840 x 2160	1920 x 1200	1920 x 1080	1920 x 1080	3840 x 2160	3840 x 2160	1280 x 1024	1920 x 1080	
Tamaño Píxel (mm)	0.315 x 0.315 mm	0.279 x 0.279 mm	0.2451 x 0.2451 mm	0.2451 x 0.2451 mm	0.185 x 0.185 mm	0.185 x 0.185 mm	0.364 x 0.364 mm	0.364 x 0.364 mm	0.311 x 0.311 mm	0.181 x 0.181 mm	0.315 x 0.315 mm	0.294 x 0.294 mm	0.275 x 0.275 mm	
Relación de Aspecto	16:9	16:9	16:9	16:9	16:9	16:9	16:9	16:9	16:9	16:9	16:9	5:4	16:9	
Brillo (cd/m2)	700	700	700	700	850	850	650	650	900	1000	700	700	600	
Ratio de Contraste (estático)	1100:1	1100:1	1000:1	1000:1	1800:1	1500:1	1400:1	1400:1	1000:1	400:1	1100:1	1000:1	1000:1	
Gamut	NTSC 88%, BT.2020 emulation	BT. 2020 emulation	BT. 2020 emulation	BT. 2020 emulation	BT.2020 emulation	BT.2020 emulation	sRGB	sRGB	sRGB	sRGB	86% DCI	sRGB	sRGB	
Capacidad de HDR	✓	✓	✓	✓	✓	✓	✗	✗	✗	✗	✗	✗	✗	
Capacidad 3D	✗	✗	✗	✓	✗	✓	✗	✓	✗	✗	✗	✗	✗	
Terminales de Entrada	BNC (3G-SDI), BNC (12G-SDI), DVI-D, DisplayPort, HDMI	BNC (3G-SDI), BNC (12G-SDI), DVI-D, DisplayPort, HDMI 2.0	BNC (3G-SDI), BNC (12G-SDI), DVI-D, DisplayPort, HDMI	BNC (3G-SDI), BNC (12G-SDI), DVI-D, DisplayPort, HDMI	DisplayPort (HDCP 1.3), HDMI (HDCP 2.2/1.4), BNC (12G-SDI), BNC (3G-SDI), DVI-D (HDCP 1.4)	DisplayPort (HDCP 1.3), HDMI (HDCP 2.2/1.4), BNC (12G-SDI), BNC (3G-SDI), DVI-D (HDCP 1.4)	BNC (3G-SDI) x 2, DVI-D x 2 (HDCP 1.4), D-Sub 15 pin (mini), BNC (RGB C-Sync or Component), S-Video, BNC (Composite)	BNC (3G-SDI) x 2, BNC (Composite), BNC (RGB C-Sync or Component) set, S-Video, DVI-D x 2 (with HDCP), D-Sub 15 pin (mini)	BNC (3G-SDI), DVI-D x 2 (HDCP 1.4), D-Sub 15 pin (mini), S-Video, BNC (Composite)	DisplayPort 1.2, DisplayPort 1.1 (Full HD), HDMI (DVI signal Full HD) x 2	DVI-D (Dual Link) x 2	DisplayPort, DVI-I (digital and analog RGBHV)	DisplayPort, DVI-I (digital and analog RGBHV)	
Terminales de Salida	BNC (12G-SDI), DVI-D, DisplayPort	BNC (12G-SDI), DVI-D, DisplayPort	BNC (12G-SDI), DVI-D, DisplayPort	BNC (12G-SDI), DVI-D, DisplayPort	DisplayPort, BNC (12G-SDI), DVI-D	DisplayPort, BNC (12G-SDI), DVI-D	Loop Through: BNC (3G-SDI) x 2, DVI-D, BNC (RGB C-Sync or Component), S-Video, BNC (Composite)	BNC (3G-SDI) x 2, BNC (Composite), BNC (RGB C-Sync or Component) set, S-Video, DVI-D	BNC (3G-SDI), DVI-D, S-Video, BNC (Composite)	-	-	-	-	
Capacidades	Picture-by-Picture (2 PbyP), Picture-in-Picture (PinP)	PbyP (Picture-by-Picture), PinP (Picture-in-Picture), Auto Input Detection, Gamma switch, color temperature switch, remote control (RS-232C)	PbyP (Picture-by-Picture), PinP (Picture-in-Picture), Auto Input Detection, Gamma switch, color temperature switch, remote control (RS-232C)	PbyP (Picture-by-Picture), PinP (Picture-in-Picture), Auto Input Detection, Gamma switch, color temperature switch, remote control (RS-232C) Line by Line (3D)	Remote control (RS-232C), PbyP (Picture-by-Picture), PinP (Picture-in-Picture), 180° rotation, Mirroring, Optical Bonding	Remote control (RS-232C), PbyP (Picture-by-Picture), PinP (Picture-in-Picture), 180° rotation, Mirroring, Optical Bonding	Remote control (RS-232C, GPI), PIP, PoP	3D (Side by Side, Line by Line, Top and Bottom, SIMUL), Remote control (RS-232C, GPI), Optical Bonding	Remote control (RS-232C, GPI), PIP, PoP	Cal-Switch	-	-	Multitáctil capacitativa proyectada	
Pantalla Protección	Hardness 9H, laminated glass,	Hardness 9H, laminated glass,	Hardness 9H, laminated glass,	Hardness 9H, laminated glass,	Hardness 9H, laminated glass,	Hardness 9H, laminated glass,	Hardness 9H, laminated glass,	Hardness 9H, laminated glass,	Hardness 9H, laminated glass,	Hardness 9H, laminated glass,	laminated glass 9H opcional	Cristal 9H opcional	-	Hardness 7H
Optical Bonding	✗	✗	✗	✗	✓	✓	✗	✗	✗	✗	✗	✗	✗	✗
Tiempo de Respuesta (ms)	8	8	8	8	20	20	16	16	14	14	8	13	14	
Alimentación (W)	170	160	144	144	199	205	97	97	79	155	170	45	46	
Puertos USB Descendentes	-	-	-	-	-	-	-	-	-	2	-	1	1	
Puertos USB Ascendentes	-	-	-	-	-	-	-	-	-	1	-	1	1	

Cámara Quirúrgica



SC430-PTR

Sensor de Imagen	1/2.5 type CMOS, single chip type
Píxeles Efectivos	3840 x 2160
Zoom	Optical 30x motorized zoom
Distancia Focal (f=)	4.6 (W) - 135 (T) mm
Campo de visión horizontal (HFOV)	68 (W) - 2.6 (T) deg.
Distancia mínima del objeto (MOD)	1500 mm (throughout the zoom range) 1000 mm (with close-up lens)
Diámetro del Filtro	72 mm
Control de Enfoque e Iris	Auto, Manual
Rango Panorámico	+/-170 deg.
Rango de inclinación	+90 / -30 deg.
Roll Range	+/-165 deg.
Velocidad de Giro	8.6 - 0.05 deg/s, 7 steps
Velocidad de inclinación	8.6 - 0.05 deg/s, 7 steps
Velocidad de Roll	30 - 0.2 deg/s, 7 steps
Micrófono Incorporado	Sí
Control de Imagen	Auto Level Control (ALC), Center Weighting Metering, BT.2020 Emulation, White Balance, Sharpness
Ganancia	Auto, Manual (0 - 45 db)
Velocidad de Obturación	[59.94 Hz output] 1/60 - 1/10000 [50 Hz output] 1/50 - 1/10000
Voltear Imagen	Normal, Flip
Terminales de Salida	HDMI x 2, BNC (Quad Link 3G-SDI), BNC (3G-SDI), Audio
4K UHD	HDMI: 2160/59.94p, 2160/50p SDI: 2160/59.94p, 2160/50p
FHD	HDMI: 1080/59.94p, 1080/59.94i, 1080/50p, 1080/50i SDI: 1080/59.94p, 1080/59.94i, 1080/50p, 1080/50i





Contacto

Avenida de la Industria, 4,
Natea Business Park Edificio E2 3º ES,
28108 Alcobendas, Madrid, Spain

T.: +34 91 657 48 22
marketing@eizo.es

www.eizo.es

